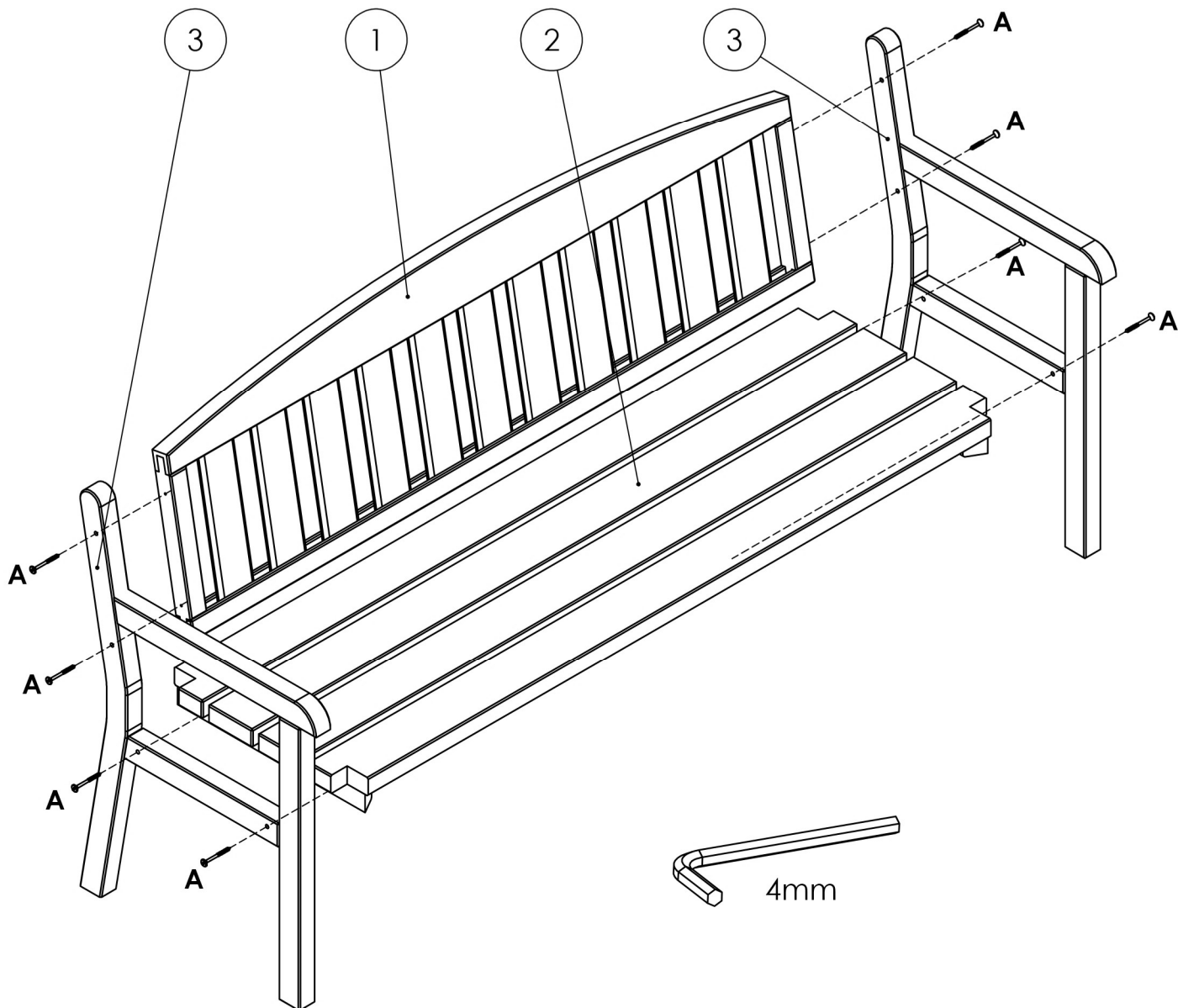
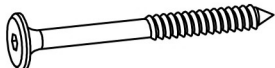


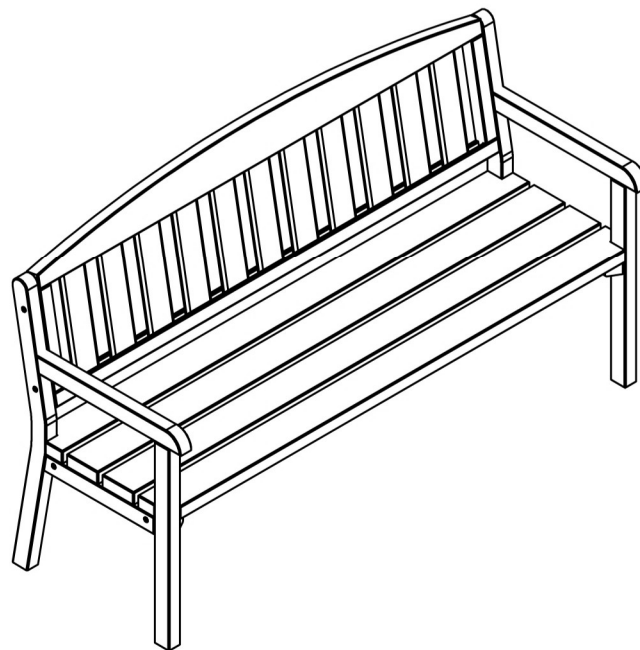
1



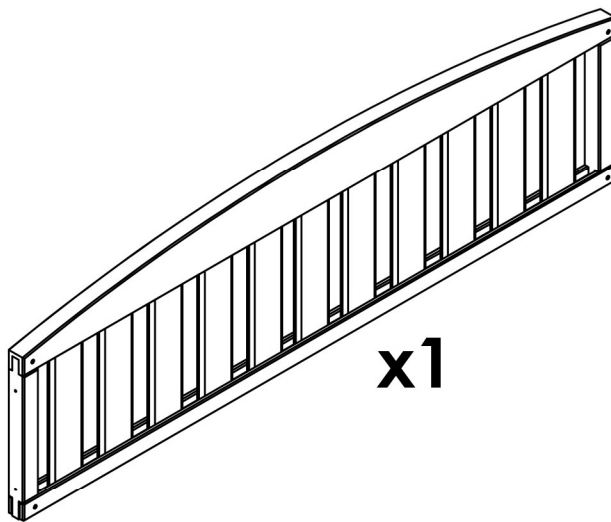
A		6x70	x8
----------	---	-------------	-----------

253071

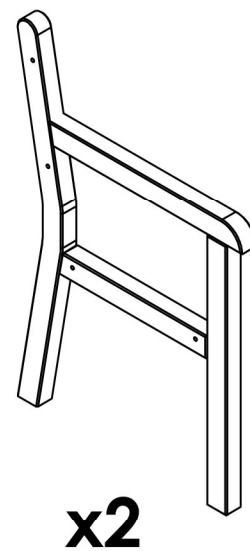
1 / 2



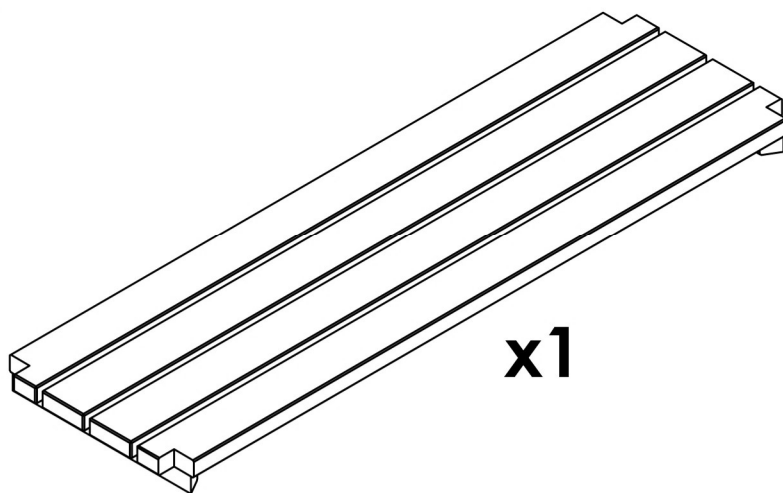
1



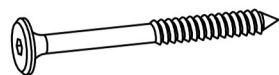
3



2



A



6x70

x8

B



4mm

x1